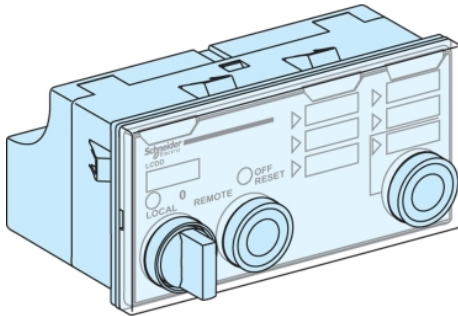


Product data sheet

Characteristics

88400

LCDD FOR NON-REVERSING MOTOR



Main

Range of product	Prisma P
Range	Prisma
Product or component type	Complete control station
Device short name	LCDD
Control station application	Three functions
Control station composition	1 flush push-button, white, spring return 1 NO START marking 1 flush push-button, white, spring return 1 NO STOP marking 1 selector switch, black, manual latching 1 NO + 1 NO

Complementary

Colour of cover	Transparent
Width	96 mm
Depth	58 mm
Height	48 mm
Connections - terminals	Removable spring terminal block
[Ui] rated insulation voltage	250 V
[Uimp] rated impulse withstand voltage	4 kV
[Ie] rated operational current	3 A at 120 V, AC 1.5 A at 240 V, AC 1 A at 30 V, DC
Light source	LED
Current consumption	10 mA

Environment

Ambient air temperature for operation	0...60 °C
IP degree of protection	IP30 conforming to IEC 60529

Offer Sustainability

Sustainable offer status	Green Premium product
REACH Regulation	REACH Declaration
REACH free of SVHC	Yes
EU RoHS Directive	Pro-active compliance (Product out of EU RoHS legal scope) EU RoHS Declaration
Toxic heavy metal free	Yes
Mercury free	Yes
RoHS exemption information	Yes
China RoHS Regulation	China RoHS Declaration
Environmental Disclosure	Product Environmental Profile
Circularity Profile	End Of Life Information

Contractual warranty

Warranty	18 months
----------	-----------
