

Product data sheet

Characteristics

ABL8BPK24A03

battery- 24 V DC - 32 A - 3.2 AH - for battery control module



Main

Range of product	Phaseo
Product or component type	Battery module
Input voltage	24 V DC
Output voltage	24 V DC
Maximum output current	32 A
Battery capacity	3.2 Ah
Holding time	< 20 h at 0.16 A, 20 °C > 5 min at 8.4 A, 20 °C

Complementary

Input voltage limits	21...29 V
Charging time	72 h
Load current	0.3 A
Output protection type	Against overload and short-circuits, protection technology: 1 x 20 A automotive type fuse
Connections - terminals	For input connection: screw type terminals, connection capacity: 2 x 0.5...2 x 10 mm ² AWG 20...AWG 8 For output connection: screw type terminals, connection capacity: 2 x 0.5...2 x 10 mm ² AWG 20...AWG 8
Self-discharge rate	9 %, 3 months 3 %, 1 month 15 %, 6 months
Fixing mode	By 2 screws diameter: 5 mm on horizontal panel, operating position: horizontal By 4 screws diameter: 5 mm on vertical panel, operating position: vertical By clips (with mounting kit) on 35 mm symmetrical DIN rail, operating position: horizontal By clips (with mounting kit) on 35 mm symmetrical DIN rail, operating position: vertical
Output coupling	Parallel
Operating altitude	2000 m
Service life in hours	11000 H at 40 °C 15000 H at 35 °C 22000 H at 30 °C 31000 H at 25 °C 44000 H at 20 °C 5000 H at 50 °C 7300 h at 45 °C
Marking	CE
Net weight	3.5 kg

The information provided in this documentation contains general descriptions and/or technical characteristics of the performance of the products contained herein. This documentation is not intended as a substitute for and is not to be used for determining suitability or reliability of these products for specific user applications. It is the duty of any such user or integrator to perform the appropriate and complete risk analysis, evaluation and testing of the products with respect to the relevant specific application or use thereof. Neither Schneider Electric Industries SAS nor any of its affiliates or subsidiaries shall be responsible or liable for misuse of the information contained herein.

Environment

Product certifications	GOST UL
Ambient air temperature for operation	0...40 °C
Ambient air temperature for storage	-20...50 °C
IP degree of protection	IP10 conforming to EN/IEC 60529
Overvoltage category	Class 3 conforming to VDE 0106-1
Vibration resistance	2 gn (f= 11.9...150 Hz) conforming to EN/IEC 61131-2 3.5 mm (f= 3...11.9 Hz) conforming to EN/IEC 61131-2

Offer Sustainability

REACH Regulation	REACH Declaration
EU RoHS Directive	Not applicable, out of EU RoHS legal scope
China RoHS Regulation	China RoHS Declaration
Environmental Disclosure	Product Environmental Profile
Circularity Profile	End Of Life Information

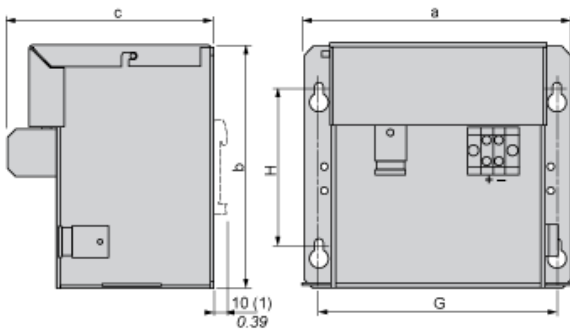
Contractual warranty

Warranty	18 months
----------	-----------

24 Vdc Battery Module

Dimensions

mm
inch

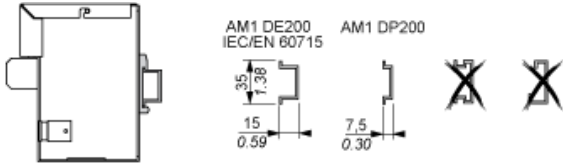


ABL	a	b	c	G	H
8BPK24A03	184/7.24	138,5/5.45	131	156/6.14	83/3.27
8BPK24A07	170/6.69	155,5/6.12	131	152/5.98	100/3.94
8BPK24A12	236/9.29	155,5/6.12	131	218/3.94	100/3.94

(1) ABL8BPK24A03 (with kit ABL1A02)

24 Vdc Battery Module

Mounting



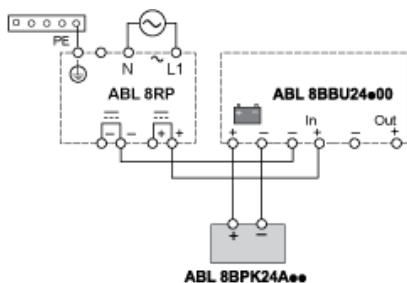
Wiring Requirements

Cable Types and Wire Sizes

<p> $\varnothing \leq 4 \text{ mm}^2$ $\varnothing \leq 12 \text{ AWG}$ </p>	<p> $\varnothing > 4 \text{ mm}^2$ $\varnothing > 12 \text{ AWG}$ </p>	ABL 8BPK24A00 6 / 10	ABL 8BPK24A03 10 / 6
<p> $\varnothing 5,5 \text{ mm} / 0,22 \text{ in}$ </p>	<p> $1,7 \text{ Nm max}$ 15 lb-in </p>		

24 Vdc Battery Module Wiring

Wiring Diagram



Paralleling 2 x ABL8PK24A00

Wiring Diagram

