

Product data sheet

Characteristics

ABL8BPK24A07

battery - 24 V DC - 40 A - 7 AH - for battery control module



Main

Range of product	Phaseo
Product or component type	Battery module
Battery capacity	7 Ah

Complementary

Input voltage limits	21...29 V
Charging time	72 h
Load current	0.7 A
Self-discharge rate	9 %, 3 months 3 %, 1 month 15 %, 6 months
Output coupling	Parallel
Operating altitude	2000 m
Marking	CE
Net weight	6.5 kg

Environment

Product certifications	UL GOST
Ambient air temperature for operation	0...40 °C
Ambient air temperature for storage	-20...50 °C

Offer Sustainability

REACH Regulation	REACH Declaration
EU RoHS Directive	Not applicable, out of EU RoHS legal scope
China RoHS Regulation	China RoHS Declaration
Environmental Disclosure	Product Environmental Profile
Circularity Profile	End Of Life Information

Contractual warranty

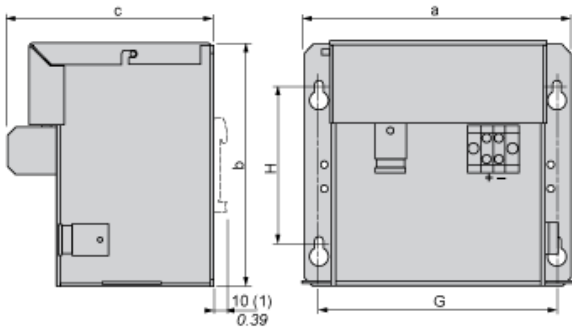
Warranty	18 months
----------	-----------

The information provided in this documentation contains general descriptions and/or technical characteristics of the performance of the products contained herein. This documentation is not intended as a substitute for and is not to be used for determining suitability or reliability of these products for specific user applications. It is the duty of any such user or integrator to perform the appropriate and complete risk analysis, evaluation and testing of the products with respect to the relevant specific application or use thereof. Neither Schneider Electric Industries SAS nor any of its affiliates or subsidiaries shall be responsible or liable for misuse of the information contained herein.

24 Vdc Battery Module

Dimensions

mm
inch

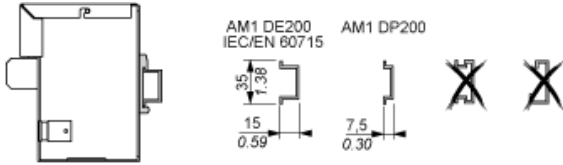


ABL	a	b	c	G	H
8BPK24A03	184/7.24	138,5/5.45	131	156/6.14	83/3.27
8BPK24A07	170/6.69	155,5/6.12	131	152/5.98	100/3.94
8BPK24A12	238/9.29	155,5/6.12	131	218/3.94	100/3.94

(1) ABL8BPK24A03 (with kit ABL1A02)

24 Vdc Battery Module

Mounting



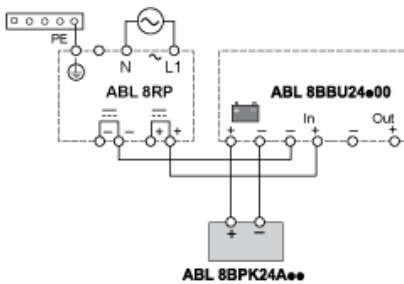
Wiring Requirements

Cable Types and Wire Sizes

<p>10 $\varnothing \leq 4 \text{ mm}^2$ $\varnothing \leq 12 \text{ AWG}$</p> <p>17 $\varnothing > 4 \text{ mm}^2$ $\varnothing > 12 \text{ AWG}$</p>	<p>ABL 8BBU24200</p>	<p>ABL 8BBU24400</p>
<p>ABL 8BPK24A00 - mm²/AWG</p>	<p>6 / 10</p>	<p>10 / 6</p>
<p>$\varnothing 5,5 \text{ mm} / 0,22 \text{ in}$</p>	<p>Nm 1,7 Nm max lb-in 15</p>	

24 Vdc Battery Module Wiring

Wiring Diagram



Paralleling 2 x ABL8PK24A00

Wiring Diagram

