

Product data sheet

Characteristics

ZBRA1DEX

Relay antenna -Dust -24...240 V DC/AC -1 power-on LED- 2 com LEDs ATEX



Main

Range of product	Harmony XB5R
Product or component type	Wireless and batteryless range
Device short name	ZBRA
Product destination	For XB5R and XB4R Ø 22 mm control units
Control station application	Transceiver (emission and reception)

Complementary

Colour of base of enclosure	Black
Communication port protocol	Zigbee green power at 2.4 GHz conforming to IEEE 802.15.4
Maximum sensing distance	90 m between transmitter and antenna
[Us] rated supply voltage	24...240 V AC/DC 50/60 Hz +/- 10 %
Operating position	Vertical
Status LED	1 LED for power ON 1 LED for emission signal
Marking	Ex tb IIIC T85°C Db IP65 Ex d IIC T6 Gb
Electrical connection	2 conductors cable 0.34 mm ² - flexible - 5 m conforming to EN/IEC 60947-1
Tightening torque	0.6 N.m conforming to EN/IEC 60947-1
Housing material	Plastic
Short-circuit protection	0.4 A fuse type fast blow
CAD overall height	122 mm
CAD overall width	120 mm
CAD overall depth	92 mm
Net weight	1 kg

Environment

Ambient air temperature for storage	-40...70 °C
Relative humidity	90 % at -20...55 °C, without condensation conforming to ETSI EN 300 440-1
IP degree of protection	IP65 conforming to IEC 60529
Radio agreement	ANATEL, type III conforming to ETSI EN 301 489-3 ARIB T66, class 2 conforming to ETSI EN 301 489-3 FCC, category 2 conforming to ETSI EN 300 440-1 ICASA, category 1 conforming to ETSI EN 300 440-1 RSS SRRC
Product certifications	CSA IEC-Ex UL C-Tick GOST BT 2006/95/EC CE CCC

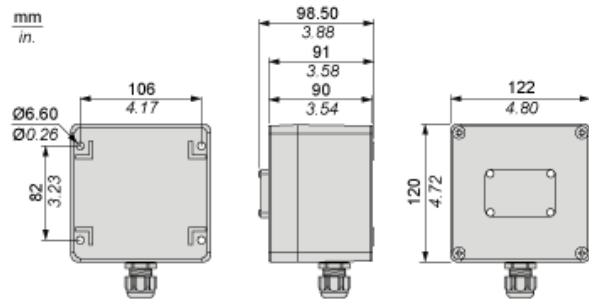
Directives	94/9/EC - ATEX directive 2004/108/EC - electromagnetic compatibility 1999/5/EC - R&TTE directive
Standards	EN/IEC 60947-1 UL 508 CSA C22.2 No 14 EN/IEC 60947-5-1

Contractual warranty

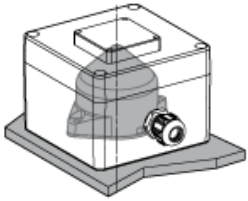
Warranty	18 months
----------	-----------

Relay Antenna Plastic Box

Dimensions



Relay Antenna in Plastic Box Mounting



The Antenna is installed following its vertical axis

Relay Antenna Plastic Box

Wiring Diagram



- (1) 250V -500 mA fast-blow fuse
- (2) 0.5...2.5mm² /20...14 AWG