



### Teknisk informasjon

Produktspekter	Harmony XB5
Produkt eller type komponent	Hode for trykknapper uten lys
Kortnavn utstyr	ZB5
Produktkompatibilitet	Legend holder
Innfatningsmateriale	Dark grey plastic
Montasjediameter	22 mm
Hode type	Standard
Salg per udelelig kvantitet	1
Formen på varslingsenhetens hode	Rund
Type arm/stempel	fjærretur
Operatørprofil	Hvit innfelt, umerket
Knappens tilleggs info.	Farget hette

### Komplementær

Bredde	30 mm
Høyde	30 mm
Dybde	33 mm
Vekt	0,021 kg
Mekanisk levetid	10000000 sykluser
Stasjonsnavn	XALD 1...5 hull XALK 2...5 hull
Elektrisk sammensetningskode	C1 for <9 kontakter bruker Enkel blokker i frontmontering C2 for <9 kontakter bruker enkel og dobbel blokker i frontmontering C11 for <3 kontakter bruker Enkel blokker i frontmontering C15 for <1 kontakter bruker Enkel blokker i frontmontering SF1 for <3 kontakter bruker Enkel blokker i frontmontering SR1 for <3 kontakter bruker Enkel blokker i bakmontering
Enhetens utseende	Basic element

### Miljø

Overflatebeskyttelse	TH
Omgivelsestemperatur for lagring	-40...70 °C
Omgivelsestemperatur drift	-40...70 °C
Overspenningskategori	Klasse II i samsvar med IEC 60536
IP-grad	IP66 i samsvar med IEC 60529 IP67 i samsvar med IEC 60529 IP69 i samsvar med IEC 60529 IP69K i samsvar med ISO 20653
NEMA beskyttelsesgrad	NEMA 13 NEMA 4X
Resistens til høytrykksvask	7000000 Pa på 55 °C, distanse : 0.1 m
IK beskyttelsesklasse	IK03 i samsvar med IEC 50102
Produktsertifikater	UL listet LROS (Lloyds register of shipping) DNV CSA GL BV

Støtmotstand	30 gn (varighet = 18 ms) for halvsinusurve akselerasjon i samsvar med IEC 60068-2-27 50 gn (varighet = 11 ms) for halvsinusurve akselerasjon i samsvar med IEC 60068-2-27
Vibrasjonsmotstand	5 gn (f= 2...500 Hz) i samsvar med IEC 60068-2-6

## Forpakkingsinformasjon

Enhetstype pakke 1	PCE
Antall enheter i pakke 1	1
Pakke 1 Høyde	4,5 cm
Pakke 1 Bredde	3,4 cm
Pakke 1 Vekt	5,4 cm
Package 1 Weight	19,0 g
Enhetstype pakke 2	S01
Antall enheter i pakke 2	50
Pakke 2 Høyde	15 cm
Pakke 2 Bredde	15 cm
Pakke 2 Lengde	40 cm
Pakke 2 Vekt	1,175 kg

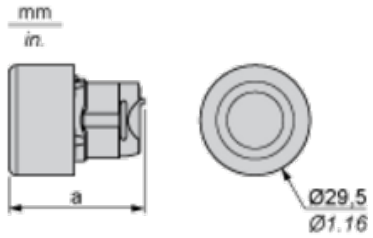
## Bærekraftig

Produktets miljøstatus	Green Premium miljømerket produkt
REACH-regelverk	<a href="#">REACH-erklæring</a>
REACH fri for SVHC	Ja
EU RoHS-direktiv	Proaktivt i samsvar (Produktet inngår ikke i EUs RoHS direktivet) <a href="#">EU RoHS-erklæring</a>
Kvikksølvfri	Ja
Informasjon om RoHS-unntak	<a href="#">Ja</a>
Kinas RoHS-forskrift	<a href="#">Kinas RoHS-Erklæring</a>
Miljøinformasjon	<a href="#">Produktmiljøprofil</a>
Produktets livssyklus	<a href="#">Informasjon Om Levetidsslutt</a>

## Garantiperiode

Garanti	18 months
---------	-----------

Dimensions



	a in mm	a in in.
ZB5AP••	36.5	1.44
ZB5AP•S	33	1.30
ZB5AP•83	32	1.26
ZB5AP•	35	1.38

Panel Cut-out for Pushbuttons, Switches and Pilot Lights (Finished Holes, Ready for Installation)

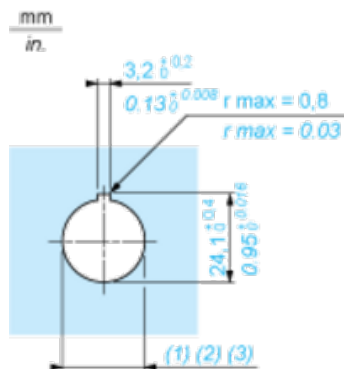
Connection by Screw Clamp Terminals or Plug-in Connectors or on Printed Circuit Board



- (1) Diameter on finished panel or support
- (2) For selector switches and Emergency stop buttons, use of an anti-rotation plate type ZB5AZ902 is recommended.
- (3)  $\varnothing 22.5$  mm recommended ( $\varnothing 22.3_0^{+0.4}$ ) /  $\varnothing 0.89$  in. recommended ( $\varnothing 0.88$  in.  $_0^{+0.016}$ )

Connections	a in mm	a in in.	b in mm	b in in.
By screw clamp terminals or plug-in connector	40	1.57	30	1.18
By Faston connectors	45	1.77	32	1.26
On printed circuit board	30	1.18	30	1.18

Detail of Lug Recess



- (1) Diameter on finished panel or support
- (2) For selector switches and Emergency stop buttons, use of an anti-rotation plate type ZB5AZ902 is recommended.
- (3)  $\varnothing 22.5$  mm recommended ( $\varnothing 22.3_0^{+0.4}$ ) /  $\varnothing 0.89$  in. recommended ( $\varnothing 0.88$  in.  $_0^{+0.016}$ )

Pushbuttons, Switches and Pilot Lights for Printed Circuit Board Connection

Panel Cut-outs (Viewed from Installer's Side)



A: 30 mm min. / 1.18 in. min.

B: 40 mm min. / 1.57 in. min.

Printed Circuit Board Cut-outs (Viewed from Electrical Block Side)

Dimensions in mm



A: 30 mm min.

B: 40 mm min.

Dimensions in in.



A: 1.18 in. min.

B: 1.57 in. min.

### General Tolerances of the Panel and Printed Circuit Board

The cumulative tolerance must not exceed 0.3 mm / 0.012 in.:  $T1 + T2 = 0.3 \text{ mm max.}$

### Installation Precautions

- Minimum thickness of circuit board: 1.6 mm / 0.06 in.
- Cut-out diameter: 22.4 mm  $\pm$  0.1 / 0.88 in.  $\pm$  0.004
- Orientation of body/fixing collar ZB5AZ009:  $\pm 2^\circ 30'$  (excluding cut-outs marked a and b).
- Tightening torque of screws ZBZ006: 0.6 N.m (5.3 lbf.in) max.
- Allow for one ZB5AZ079 fixing collar/pillar and its fixing screws:
  - every 90 mm / 3.54 in. horizontally (X), and 120 mm / 4.72 in. vertically (Y).
  - with each selector switch head (ZB5AD•, ZB5AJ•, ZB5AG•).

The fixing centers marked a and b are diagonally opposed and must align with those marked 4 and 5.



(1) Head ZB5AD•

(2) Panel

(2) Nut

#### (4) Printed circuit board

##### Mounting of Adapter (Socket) ZBZ01•

- 1 2 elongated holes for ZBZ006 screw access
- 2 1 hole  $\varnothing$  2.4 mm  $\pm$  0.05 / 0.09 in.  $\pm$  0.002 for centring adapter ZBZ01•
- 3 8  $\times$   $\varnothing$  1.2 mm / 0.05 in. holes
- 4 1 hole  $\varnothing$  2.9 mm  $\pm$  0.05 / 0.11 in.  $\pm$  0.002, for aligning the printed circuit board (with cut-out marked a)
- 5 1 elongated hole for aligning the printed circuit board (with cut-out marked b)
- 6 4 holes  $\varnothing$  2.4 mm / 0.09 in. for clipping in adapter ZBZ01•

Dimensions An + 18.1 relate to the  $\varnothing$  2.4 mm  $\pm$  0.05 / 0.09 in.  $\pm$  0.002 holes for centring adapter ZBZ01•.

---

Electrical Composition Corresponding to Code C1

---



---

Electrical Composition Corresponding to Code C2

---



---

Electrical Composition Corresponding to Codes C9, C11, SF1 and SR1

---

---

Electrical Composition Corresponding to Code C15

---

1 N/O

1 N/C

1 N/O + N/C or 1 N/O + N/O or 1 N/C + N/C



## Legend

---

Single contact

Double contact

Light block

Possible location

