

# XVGM2SW

Monolithic tower lights, Easy Harmony XVG, 60mm, red green, steady light, buzzer, base mounting, IP42, 220...240V AC



## Main

Range of product	Easy Harmony XVG
Product or component type	Complete pre-wired monolithic tower light
Beacon or indicator bank unit type	2 illuminated units
Material	PC (UL94 V-2): globe
Mounting diameter	60 mm
Component name	XVG
Device mounting	Base mounting
Light source	LED steady
Light block color	Red/green
Indicator bank base type	Base with integrated buzzer

## Complementary

Rated supply voltage	220...240 V AC
Cable cross section	0.33 mm <sup>2</sup>
Discrete output type	PNP
[Uimp] rated impulse withstand voltage	4.0 kV
Current consumption	54 mA
Noise level	85 dB
Power consumption in VA	8.7 VA
Fundamental frequency	2.64 kHz
Net weight	0.26 kg

## Environment

Product certifications	CE[RETURN]CCC[RETURN]EAC
Ambient air temperature for storage	-20...65 °C
Ambient air temperature for operation	0...50 °C
Electrical shock protection class	Class II
Overvoltage category	III conforming to IEC 60947-5-1
IP degree of protection	IP42

## Packing Units

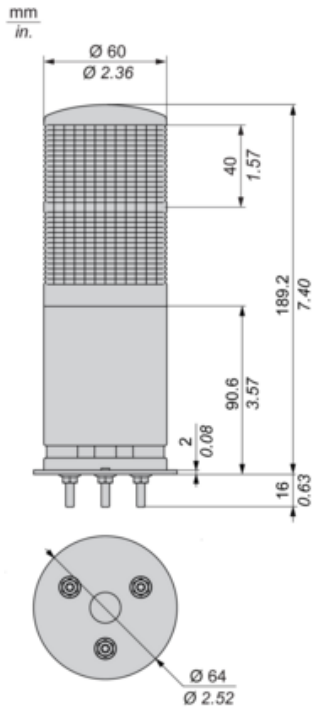
Unit Type of Package 1	PCE
Number of Units in Package 1	1
Package 1 Height	8.0 cm
Package 1 Width	8.0 cm
Package 1 Length	31.0 cm
Package 1 Weight	381.0 g
Unit Type of Package 2	S04
Number of Units in Package 2	21
Package 2 Height	30.0 cm
Package 2 Width	40.0 cm
Package 2 Length	60.0 cm

Package 2 Weight	8.651 kg
Unit Type of Package 3	P06
Number of Units in Package 3	84
Package 3 Height	75.0 cm
Package 3 Width	80.0 cm
Package 3 Length	60.0 cm
Package 3 Weight	42.604 kg

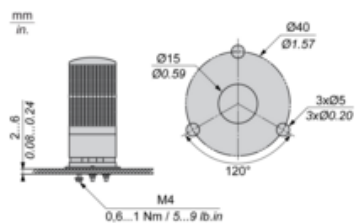
## Offer Sustainability

Sustainable offer status	Green Premium product
REACH Regulation	<a href="#">REACH Declaration</a>
EU RoHS Directive	Pro-active compliance (Product out of EU RoHS legal scope)
Mercury free	Yes
China RoHS Regulation	<a href="#">China RoHS Declaration</a>
RoHS exemption information	<a href="#">Yes</a>
Environmental Disclosure	<a href="#">Product Environmental Profile</a>
Circularity Profile	<a href="#">End Of Life Information</a>
WEEE	The product must be disposed on European Union markets following specific waste collection and never end up in rubbish bins

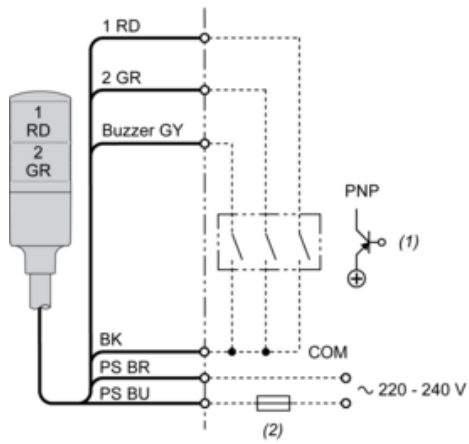
## Dimensions



## Mounting



## Wiring



(1) "ON" for lighting and/or applying continuous sound.

(2) Fuse (rated current: 1 A)

RD : Red

GR : Green

GY : Grey

BK : Black

PS BR : Power Supply Brown

PS BL : Power Supply Blue