

XVGM2W

Monolithic tower lights, Easy Harmony XVG, 60mm, red green, steady light, base mounting, IP53, 220...240V AC



Main

Range of product	Easy Harmony XVG
Product or component type	Complete pre-wired monolithic tower light
Beacon or indicator bank unit type	2 illuminated units
Material	PC (UL94 V-2): globe
Mounting diameter	60 mm
Component name	XVG
Device mounting	Base mounting
Light source	LED steady
Light block color	Red/green
Indicator bank base type	Base without buzzer

Complementary

Rated supply voltage	220...240 V AC
Cable cross section	0.33 mm ²
Discrete output type	PNP
[Uimp] rated impulse withstand voltage	4.0 kV
Current consumption	36 mA
Power consumption in VA	5.8 VA
Net weight	0.25 kg

Environment

Product certifications	CE[RETURN]CCC[RETURN]EAC
Ambient air temperature for storage	-20...65 °C
Ambient air temperature for operation	0...50 °C
Electrical shock protection class	Class II
Overvoltage category	III conforming to IEC 60947-5-1
IP degree of protection	IP53

Packing Units

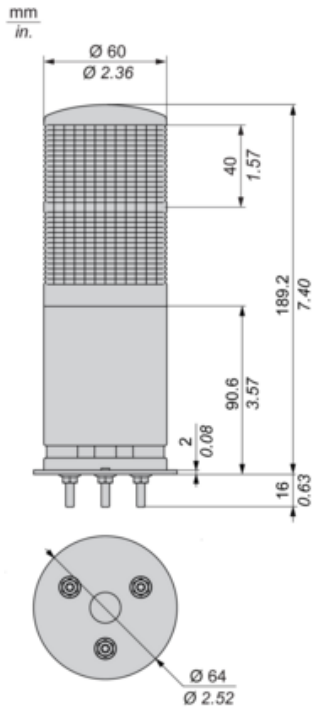
Unit Type of Package 1	PCE
Number of Units in Package 1	1
Package 1 Height	8.0 cm
Package 1 Width	8.0 cm
Package 1 Length	31.0 cm
Package 1 Weight	377.0 g
Unit Type of Package 2	S04
Number of Units in Package 2	21
Package 2 Height	30.0 cm
Package 2 Width	40.0 cm
Package 2 Length	60.0 cm
Package 2 Weight	8.561 kg
Unit Type of Package 3	P06

Number of Units in Package 3	84
Package 3 Height	75.0 cm
Package 3 Width	80.0 cm
Package 3 Length	60.0 cm
Package 3 Weight	42.244 kg

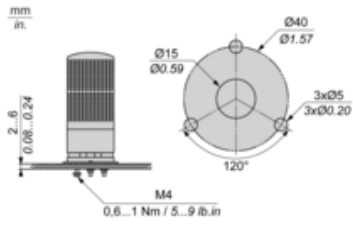
Offer Sustainability

Sustainable offer status	Green Premium product
REACH Regulation	REACH Declaration
EU RoHS Directive	Pro-active compliance (Product out of EU RoHS legal scope)
Mercury free	Yes
China RoHS Regulation	China RoHS Declaration
RoHS exemption information	Yes
Environmental Disclosure	Product Environmental Profile
Circularity Profile	End Of Life Information
WEEE	The product must be disposed on European Union markets following specific waste collection and never end up in rubbish bins

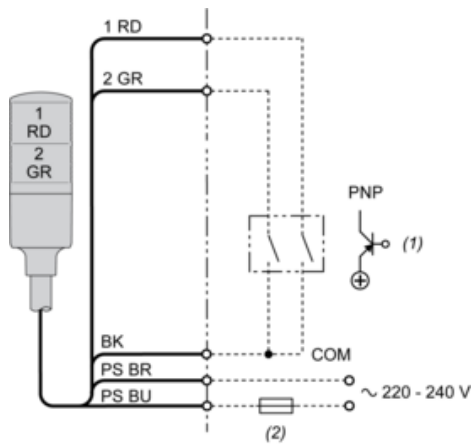
Dimensions



Mounting



Wiring



(1) "ON" for lighting and/or applying continuous sound.

(2) Fuse (rated current: 1 A)

RD : Red

GR : Green

BK : Black

PS BR : Power Supply Brown

PS BL : Power Supply Blue